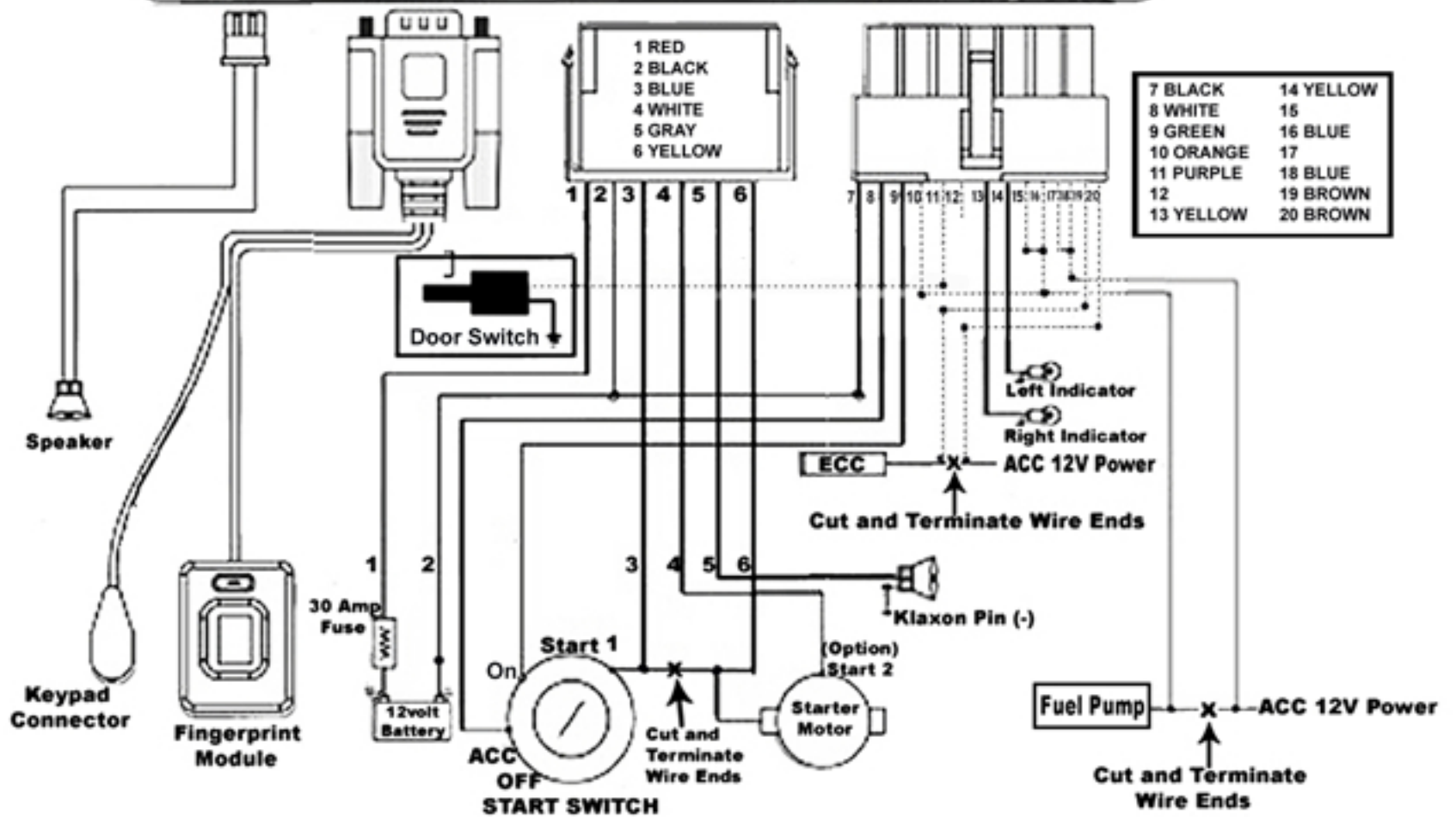
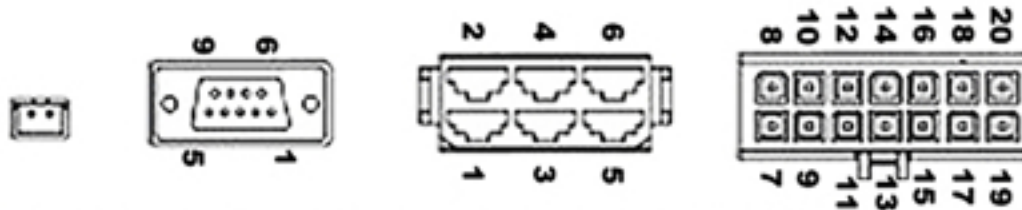




Fingerprint Car Security System w/Anti Car-Jack

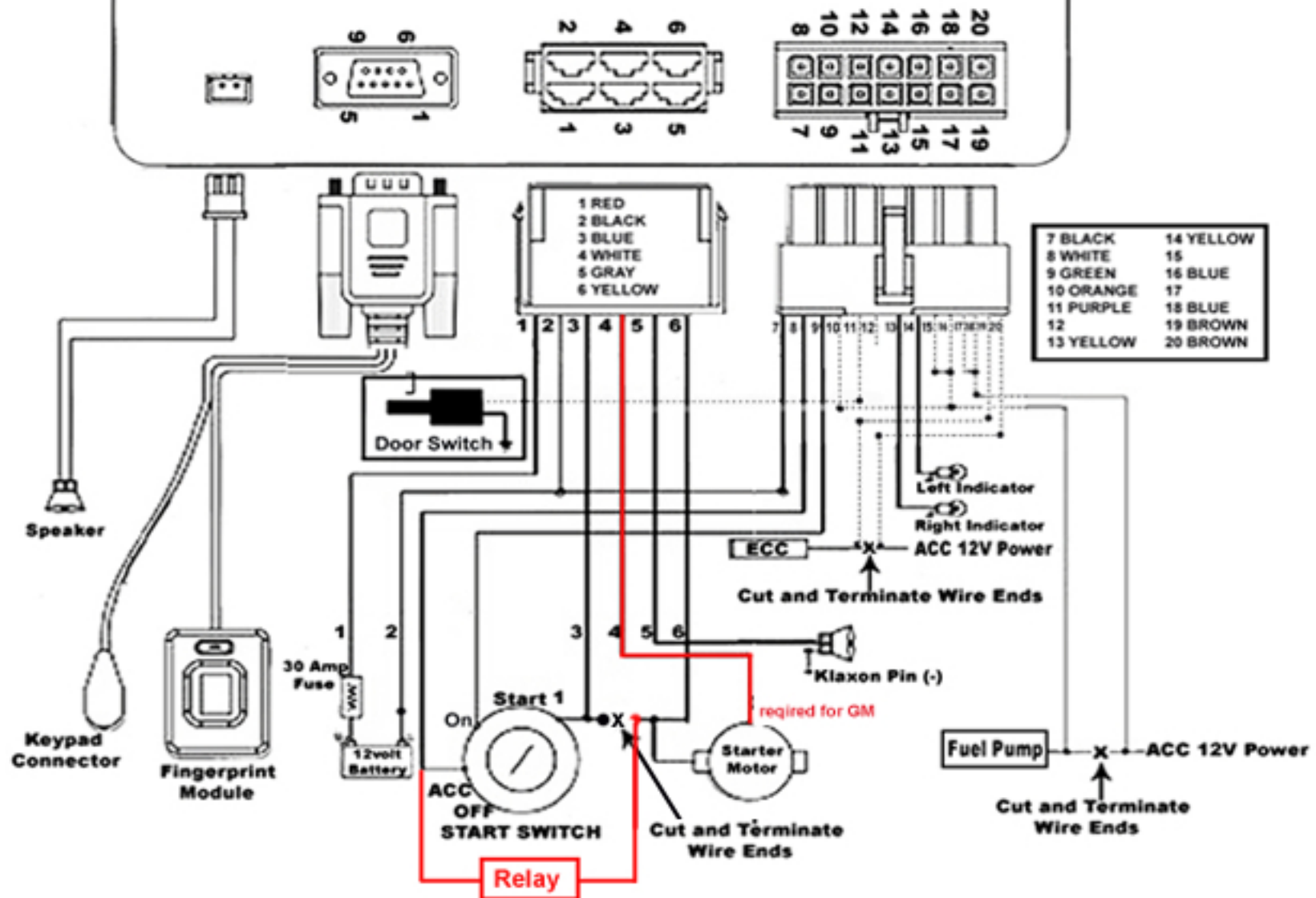
wiring/connection chart for most vehicles (EXCEPT new GM vehicles)





Fingerprint Car Security System w/Anti Car-Jack

Wiring/connection chart for New GM Vehicles



Relay must be added to momentarily drop out the ACC line on pulse.